

COMMERCIAL LED FABRIC PENDANT LIGHT CLB-00583



Part: N/A

Category: [Lighting](#)

ADDITIONAL INFORMATION

Finish



ADDITIONAL INFORMATION

Finish

GALLERY IMAGES



PRODUCT DESCRIPTION

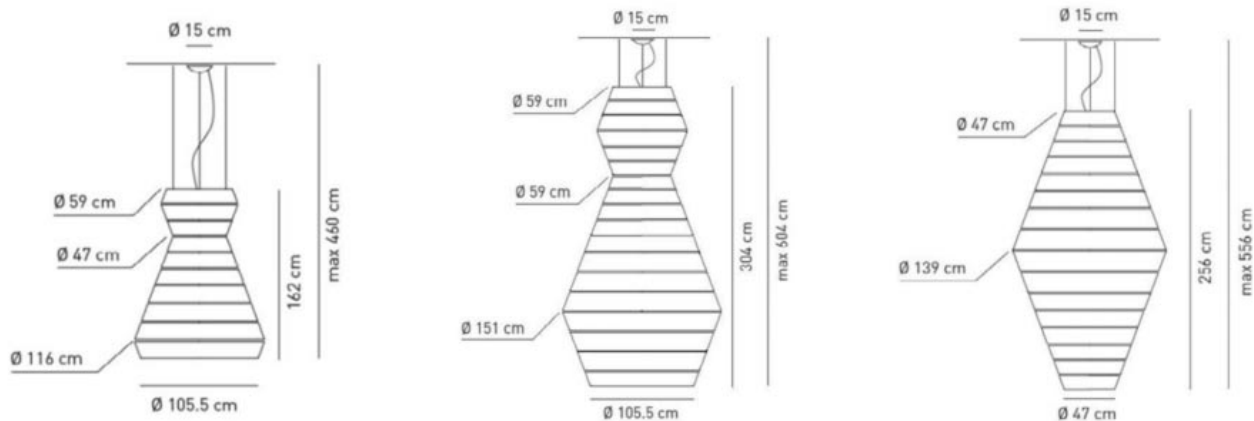
COMMERCIAL LED FABRIC PENDANT LIGHT CLB-00583

Large Suspended Commercial LED Fabric Pendant Light Luminaire with different coloured fabrics.

Coloured Flame Retardant Fabric wrapped around a large metal frame.

- IP Rated - IP20
- Lamps - E27/16W LED or Fluo Max 20W or Halo Max 70W
- DIM DALI

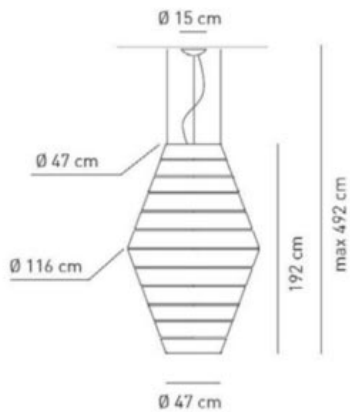
Sizes Available



E2 Contract Lighting

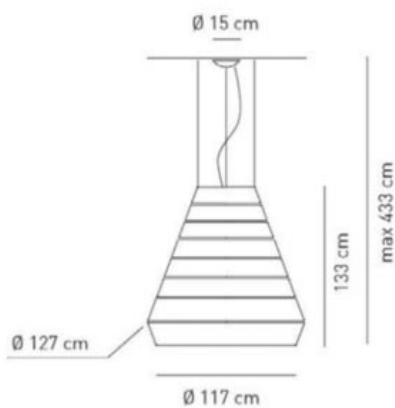
SPECIFICATION SHEET

- Max Height - 460mm
- Height - 162mm
- Width - 116mm
- Lamp - 9 x E27



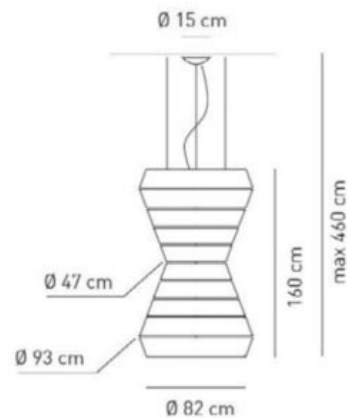
- Max Height - 492mm
- Height - 192mm
- Width - 116mm
- Lamp - 9 x E27

- Max Height - 704mm
- Height - 304mm
- Width - 151mm
- Lamp - 15 x E27



- Max Height - 433mm
- Height - 133mm
- Width - 127mm
- Lamp - 9 x E27

- Max Height - 556mm
- Height - 256mm
- Width - 139mm
- Lamp - 15 x E27



- Max Height - 460mm
- Height - 162mm
- Width - 116mm
- Lamp - 9 x E27

Coloured Fabric Available



Please Contact for delivery times

